

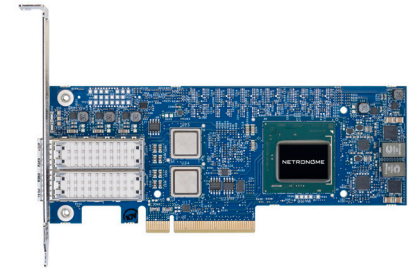
## Agilio® CX 2x25GbE SmartNIC

### SMARTNIC FOR HIGH-PERFORMANCE CLOUD, SDN AND NFV NETWORKING

Data centers have always faced the challenge of massive storage and compute growth. Now with cloud-enabled, on-demand usage models, both cloud providers and traditional data centers face the added requirements of agility and rapid time to market. Software-based solutions can provide agility; although only Corigine SmartNICs provide the network agility and rapid time to market that data centers need for server based networking, while also enabling more secure VMs per server and conserving CPU cycles.

Cloud data centers need to service tens of thousands of tenants and manage applications spread across millions of VMs deployed in hundreds of thousands of servers. To enable the smooth transition of enterprise applications to the cloud, service providers are offering customers the ability to bring their own networks and associated security policies. A growing set of VMs and applications, accounting for more than 75% of traffic within the data center, require firewall rules to be directly associated with VMs. Ultimately this is causing an explosion of the number of virtual networks, security policies and keys that need to be provisioned and managed on a dynamic basis.

In the recent years, server-based networking and intelligent end points have evolved rapidly to enable scale and preserve costs. Typical inline network functions include tunnel encapsulation, load balancing and metering, exact match, wild card match, action-based stateless and stateful flow processing. Inline cryptography is now critical for secure in-transit data access. The need to apply granular policies closer to VMs and applications has resulted in implementing such inline network functions using the virtual switch datapath. However, with 10, 25, 40 and 100GbE connectivity in servers the number of CPU cores and power needed for such inline functions becomes prohibitive. To add to the problem, cache misses can cause undesired server performance hits and jitter. Agilio CX SmartNICs are purpose-built to solve such performance and scaling challenges. By efficiently offloading virtual switching, Agilio CX SmartNICs improve performance and lower CAPEX by freeing up valuable server CPU cores, enabling significantly more secure virtual machines per server. Agilio CX SmartNICs also reduce OPEX by enabling server-based SDN and NFV at higher scale and performance.



#### HIGHLIGHTS

- vSwitch datapath offload on popular OS platforms
- SR-IOV, DPDK, zero-copy, packet-direct and stateless offloads
- Server-based networking, processing up to 2M stateless and stateful flows
- Comprehensive network acceleration technologies
- Industry-leading intelligent data plane architecture
- Fully programmable control for new network feature rollouts
- Flexible and scalable tunneling and match-action policies

#### AGILIO CX APPLICATIONS

- Cloud IaaS/PaaS
- Network Functions Virtualization (NFV)
- Data Center Microsegmentation
- Network Telemetry
- Zero-Trust Security



| SPECIFICATIONS     |   |
|--------------------|---|
| Interfaces         | 2-port 25GbE, SFP+ (10GbE) / SFP28 (25GbE)  |
| Memory             | 2GB DDR3 onboard memory   |
| Operating Systems* | Red Hat Enterprise Linux (RHEL), CentOS, Ubuntu   |
| Hypervisors        | Linux KVM   |
| Ethernet           | PCIe Base 3.0-compliant 1.1- and 2.0-compatible<br>2.5, 5.0 or 8.0GT/s link rate x8<br>MSI-X vector per RX/TX queue pair<br>Interrupt coalescing<br>PCIe mapped LAN, UART   |
| Connectivity       | IEEE Std 802.3ae 10 Gigabit Ethernet<br>IEEE Std 802.3by 25 Gigabit Ethernet<br>IEEE Std 802.3ad Link aggregation and failover<br>IEEE Std 802.1Q.1p VLAN tags and priority<br>IEEE P802.1Qaz D0.2 ETS<br>Jumbo frame support (9.6KB)<br>Configuration and diagnostic tools |

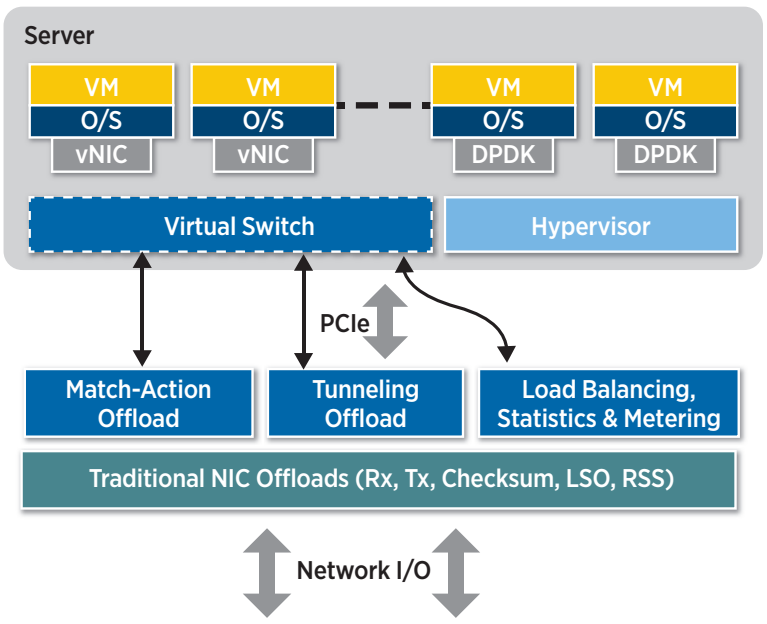
\*Please ask Corigine representative for the latest supported O/S and Hypervisors.

| ENVIRONMENTAL REQUIREMENTS |                          |
|----------------------------|--------------------------|
| Operating Temp             | 0-55°C                   |
| Storage Temp               | -40-70°C                 |
| Relative Humidity          | 5% to 95% non-condensing |
| Air Flow                   | 350 LFM (min)            |

| AGENCY APPROVALS |                             |
|------------------|-----------------------------|
| Certification    | UL, FCC, EU, RoHS, CE, VCCI |

| ORDERING PART NUMBER |
|----------------------|
| ISA-4000-25-2-2      |

**Agilio CX 2x25GbE SmartNIC Block Diagram**



**FEATURES**

- Up to 2M flows on card
- Up to 500k tunnels
- P4 and C-programmable for fast feature rollouts

**Network Acceleration and Offloads**

- TCP/UDP/IP stateless offload
- Receive-side scaling (RSS)
- Multiple queues per virtual machine
- DPDK, zero-copy, kernel bypass, packet direct

**Acceleration of Compute-intensive Functions**

- Deep packet inspection (DPI)
- Atomic operations
- Per-flow real-time statistics

**Virtual Switch Data Plane Offload (With Agilio OVS Software)**

- VXLAN, NVGRE, MPLS tunnel encapsulation and de-encapsulation
- Programmable for custom tunnel types
- Flexible exact match-action and wildcard policy offloads
- In-hardware flow cache for cut-through acceleration
- Stateless and stateful load balancing
- Per-flow metering and QoS

**Corigine**

Email: [sales@corigine.com](mailto:sales@corigine.com)  
[www.corigine.com.cn](http://www.corigine.com.cn)

©2020 Corigine. All rights reserved.  
 Corigine, the Corigine logo are trademarks or registered trademarks of Corigine. All other trademarks mentioned are registered trademarks or trademarks of their respective owners in the United States and other countries.